

OPERATING INSTRUCTIONS

Category IV Safety Accessory

Type 2600 Relief Valve

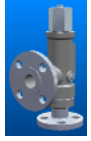


Notified Body No. 0038



Application

Suitable for compressed air, gas, water, oil and steam service.



Operation

The set pressure can be varied as required by compressing or relaxing the spring using the adjusting screw:

Clockwise turns compress the spring increasing the set pressure.

Anti-clockwise turns relax the spring decreasing the set pressure.

Lifting and Handling

Wooden cases should be lifted using either a Fork Lift Vehicle or a Crane with adequate Safety Approved slings applied to carry the weight, which will be evenly distributed within the case.

Important: All manual handling operations should be carried out in compliance with the Manual Handling Operations Regulations 1992 (SI 1992/2793) (EC Directive 90/269/EEC).



Storage

Valves with Screwed ends shall have plugs fitted in their connections to prevent ingress of dirt etc. Flanged valves shall have their bores blanked off.

We recommend that plugs/blanks be removed immediately prior to installation.



General

1. When a new valve leaves Broady Flow Control, it has been manufactured and tested by trained and experienced personnel. When you remove a valve from your system and perform the maintenance tasks that are outlined herein, you will need proper training.

Do **not** attempt to accomplish these tasks without adequate training and understanding of the valve operation.

2. Any and all stated or implied warranties that are in effect during the purchase of a new Broady valve are null and void once the valve has been disassembled by someone other than approved Broady personnel.

3. The contents of this document are subject to change without notice.



Safety Warning!

Discharge from outlet may be violent and must not be allowed to create a hazard to persons or property.



Testing

It is recommended that the following tests be carried out before installation of the valve: Seat tightness and set pressure.

Test Equipment

Connect valve inlet to a pressure vessel in which pressure may be raised gradually and measured by means of a precision pressure gauge.

Seat Tightness Test

The valve outlet should be fitted with an appropriately sized leakage detector (see Fig. 1) in accordance with API 527.

Raise inlet pressure to 90% of set pressure and check that not more than 40 air bubbles per minute pass through the water.

Should the leakage exceed the stated value, refer to table "Faults in Operation" (Fig. 2)

EQUIPMENT FOR SEAT TIGHTNESS TEST

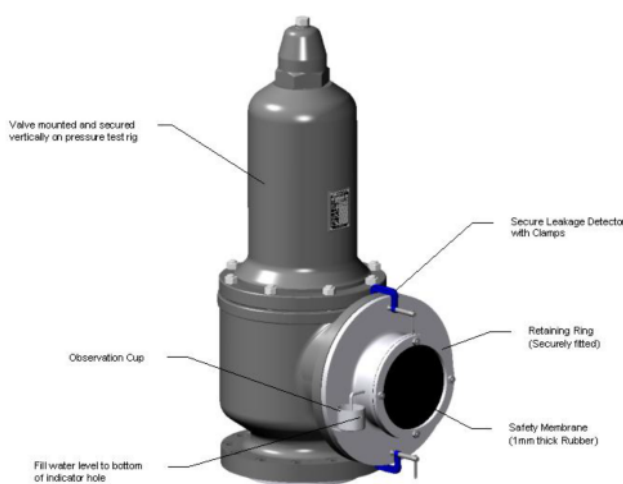


Fig. 1 - API 527 compliant leakage detector

Set Pressure Test

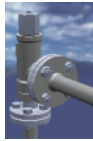
Check that valve starts opening at required set pressure (refer to Valve Nameplate for correct value).

Changes outside the stated tolerances must be corrected by varying the spring compression using the Adjusting Screw (4).

To regulate the set pressure:

1. Fit valve to Test Rig with no pressure on valve inlet.
2. Remove the cap (3).
3. Prevent Disc Holder (15) rotating by holding Spindle (9) with screwdriver in slot on Spindle end.
4. Loosen Locknut (5) (fitted to Adjusting Screw (4))
5. Adjust using Adjusting Screw (4) until the desired set pressure is achieved. Do not allow Disc Holder (15) to rotate.
6. Reassemble Cap (3).

Note: For each successive set pressure check; Locknut (5) **must** be tightened.



Installation and Commissioning

It is most important that the pipeline and valve connections be clean and free from dirt, scale, etc.

Avoid bumping or shaking valve to prevent misalignment of trim and damage to flange faces.

Fit valve in pipeline with flow direction as indicated by arrow cast on valve body; with inlet down and Adjusting Screw in vertical position above pipeline.

It is also advisable to fit a stop valve on high-pressure side of line.

Use inlet and outlet pipework as short as possible and of dimensions equal to the valve connections.

Uniformly tighten fasteners securing valve connections to pipework.

Secure outlet pipework in order to reduce vibration and avoid strain on outlet flange.

Avoid elbows with small curvature radii on the outlet pipe: for high temperature gas and vapour discharge, use expansion joints.

After valve has been installed, make it pop at least twice to allow automatic alignment of trim.



Maintenance

Regular Checks:

Check at regular intervals for signs of obvious faults.

Leakages must be repaired immediately, especially when the medium is poisonous, highly volatile or very explosive.

When valve is fitted with lifting device, vent periodically (at least three or four times a year) to check operation. During these tests, the pressure must be at least 75% of the full working pressure.

Annual Checks:

Examine annually for signs of defect, damage or deterioration.

Give special attention to contact/seating faces. If damaged, these must be re-machined and lapped in.

Springs should be replaced if there is any sign of deterioration.

All parts should move freely in their respective guides.

Note: Quote the unique valve serial number when ordering spare parts.

Lapping the Disc

Use a cast iron or plate glass block of suitable size, with a perfectly smooth and flat surface. Apply a small quantity of lapping compound to smooth surface of block. Pass Disc (12) across smooth surface in a figure of eight movement. Lift Disc periodically away from block so that lapping compound may flow from edges towards centre.

Lapping the Nozzle Seat

Use a cast iron or plate glass block of suitable size; check that it does not tilt, to avoid rounding off edges. Apply lapping compound to smooth surface of block. Pass Nozzle seating surface across smooth surface in a figure of eight movement. During lapping operation, make sure no foreign matter is on either lapped surface or block.

Note: Lapped parts must be carefully cleaned before assembling, to remove every trace of lapping compound.



Safety Warning!

Before dismantling, ensure that the valve has been isolated from the pressure and the adjusting screw has been removed.



Dismantling and Reassembly

Dismantling:

1. Remove Cap and Joint (3 & 6).
2. Measure position of the Adjusting screw (4) and record for re-assembly purposes.
3. Slacken Locknut (5) and unscrew Adjusting screw (4).
4. Remove Lockscrew (13).
5. Unscrew Nozzle (22), lift off Body (21) and Joint (16).
6. Lift off the Spindle/Valve Lid assembly (parts 9, 10, 11, 12, & 20).
7. Lift off the Spring Carriers (18) and Spring (8).
8. Remove Disc (12) from the Disc Holder (10) by tapping Disc Holder firmly onto a clean wooden surface, care should be taken not to misplace the Circlip (20) and Ball (11).
9. Unscrew Blowdown Ring (15) from Nozzle (22).

Note: Replace all Joints with new ones.



Danger of Explosion!

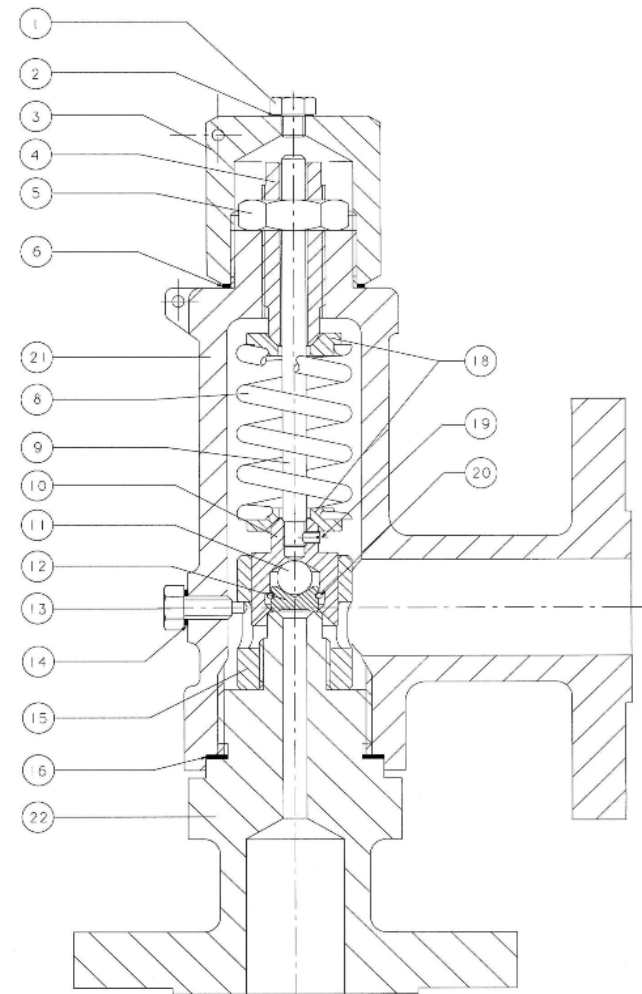
Oxygen Service - Carefully degrease all components before assembling valves. Failure to do so will result in an explosion.

Reassembly:

Carry out the operations listed for disassembly in reverse, taking care to:

Avoid scratching lapped surfaces. Note: To prevent damage to Disc/Nozzle faces, hold Spindle (9) with screwdriver in slot on Spindle end; turn whilst compressing Spring.

Clean the trim thoroughly throughout. Lubricate Adjusting Screw, Spring Carrier and all threads with graphite grease.



Item	Description	Qty
1	Plug/Gag (Cap)	1
* 2	Joint (Plug)	1
3	Cap	1
4	Adjusting Screw	1
5	Locknut (Adjusting Screw)	1
* 6	Joint (Cap)	1
8	Spring	1
9	Spindle	1
10	Disc Holder	1
11	Ball	1
12	Disc	1
13	Lockscrew	1
* 14	Joint (Lockscrew)	1
15	Blowdown Ring	1
* 16	Joint (Nozzle)	1
18	Spring Carrier	2
19	Grubscrew	1
20	Circlip	1
21	Body	1
22	Nozzle	1

* Recommended spare parts

OPERATING INSTRUCTIONS

Fig. 2 - Faults in Operation

FAULT	CAUSES	SOLUTIONS
Leakage	(1) Presence of foreign matter between seat and disc (2) Scratching or pitting on seat surface (3) Valve used with a medium other than specified when ordering (4) Valve not mounted vertically.	(1) Discharge valve once or twice consecutively. Should leakage continue, disassemble valve and clean trim. (2) Disassemble valve, grind and lap seat. (3) Lap seat and disc more finely if the valve originally ordered for liquid service is used with gas (4) Correct installation.
Discharge at incorrect pressure	(1) Variable back pressure (2) Back pressures different from specified when ordered (3) Loosening of lock nut on spring adjusting screw. (4) Poor trim alignment.	(1) Check that discharge takes place in piping, whose dimensions are equal to or greater than those of the outlet connections of the valve, and that the discharge piping is free from obstruction. (2) The valve must be re-calibrated, correcting the spring compression for the revised set pressure. (3) Tighten lock nut after re-calibrating the valve. (4) Discharge the valve 2 or 3 times to allow self-alignment of the trim.
Chatter (rapid opening and closing cycle).	(1) Blowdown ring incorrectly adjusted. (2) Insufficient discharge capacity.	(1) Ensure that the blowdown ring is in the lowest position for liquid service. For valves used on gas; regulate suitably. (2) Check that the discharge piping is not too long. Check that the valve is not undersized.



Broady Flow Control Limited,
 English Street,
 Kingston upon Hull,
 East Yorkshire,
 HU3 2DU.
 www.broady.co.uk
 Telephone: 01482 619600
 Facsimile: 01482 619700

EC DECLARATION OF CONFORMITY

Issued in accordance with the

PRESSURE EQUIPMENT DIRECTIVE (PED) 97/23/EC

We hereby declare that, in compliance with the above Directive, the product(s) detailed below have been manufactured in accordance with conformity assessment modules B + D 'Type examination' and 'Full quality assurance (ISO 9001) for production, final inspection and test' as approved by Lloyd's Register Verification (Notified Body No. 0038), of 71 Fenchurch Street, London, EC3M 4BS, UK, under the following:

EC Type Examination Certificate RPS 0160353/03 and EC Certificate of Conformity RPS 0160389/01

Product Description - Safety Accessory

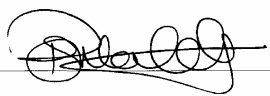
Product Reference - Type 2600 Safety Relief Valve

Comprising - Not Applicable

Serial Number - Not Applicable

Applicable Standards - API RP520 Edition 7

Other Applicable Directives - None

Signed: 
 Name: R. S. Moulds
 Position: Managing Director
 Date: 25/08/2009



Declaration of Conformity

Form QF 186/B+D Rev. A